

# RE-717MC

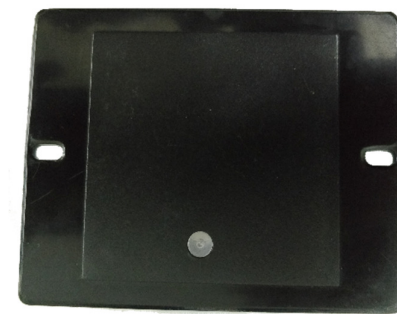
## ADDRESSABLE CONTROL MODULE

### General

Control Module is the remote switching device to control 24V operating devices like Bells, Sounders, Strobes, etc. The required supply is drawn from a 24V power supply unit. The RED blinking LED indicates normal operating conditions and the steady state LED for activated conditions. DIP switches are provided for addressing of the module. The output and auxiliary input voltage is supervised for faulty condition.

### Features

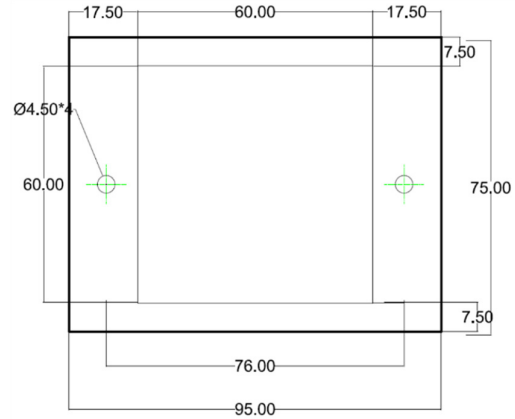
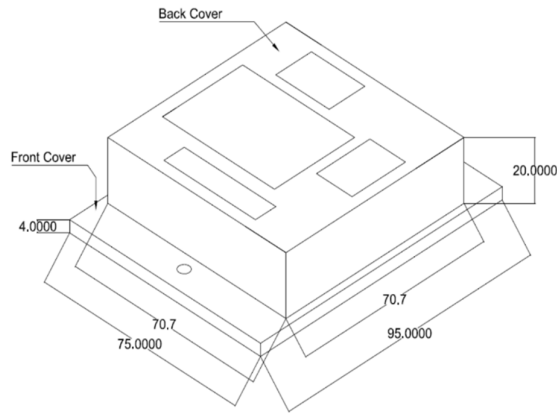
- UL-Listed (9th Edition).
- CE Approved.
- Supervised a Class 'B' Style 'Y' output circuit.
- Module Status by RED LED.
- Analogue Communication with the panel.
- Addressing by 8 way DIP switches.
- Low Standby Current.
- Available with suitable back boxes.
- Modular Construction.



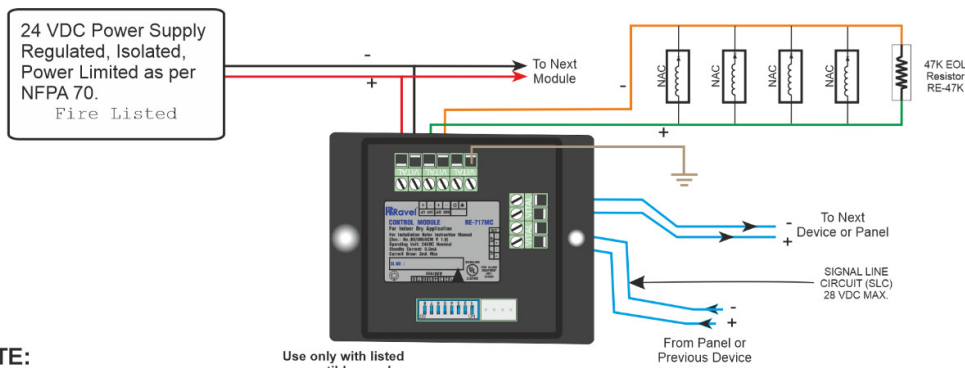
### Specification

Electrical Specification	
<b>Operating Voltage</b>	24 VDC Nominal.
<b>Current Draw</b>	2 mA Max.(Latched)
<b>Standby Current</b>	0.5 mA
<b>End of Line Resistor</b>	47K Ohms
<b>Loop Impedance</b>	40 Ohms
<b>Line Loss</b>	4 VDC Max
<b>External Supply Voltage</b>	Regulated 24V
<b>Max. Output Current Drive</b>	1 Amps.(Supervised)
<b>Operating Temperature</b>	0°C to 49°C / 32°- 120°F
<b>Storage Temperature</b>	0°C to 60°C
<b>Relative Humidity</b>	93 ± 2% RH (non-condensing) at 32 ±2° C / 90 ±3° F
Mechanical Specification	
<b>Dimensions</b>	(95 W X 75 H X 24D) mm
<b>Color</b>	Black
<b>Weight</b>	0.35 Kg

## Dimensions



## Wiring Configuration



### NOTE:

- \* D = NO CONNECTION
- \* ALL WIRING SHOWN IS SUPERVISED AND POWER LIMITED

## Compatible Device

Models	Description
<b>AVANI</b>	Analogue addressable Fire Alarm Control panel expandable upto 4 loop
<b>AVANI XL</b>	Analogue Addressable Fire Alarm Control panel expandable upto 8 loop
<b>AVANI db</b>	Analogue Addressable Fire Alarm Control Panel expandable upto 2 Loop

## Ordering Information

Models	Description
RE-717MC	Addressable Control Module

### India

RAVEL ELECTRONICS PVT LTD.,  
150A, Electronics Industrial Estate,  
Perungudi, Chennai – 96, India.  
E-mail: [marketing@ravelfire.com](mailto:marketing@ravelfire.com); Web: [www.ravelfire.com](http://www.ravelfire.com)

### United Kingdom

RAVEL ELECTRONICS LTD.,  
Unit 11, Chancel Industrial Estate, Newhall street,  
Willenhall WV13 1NX, West Midlands, United Kingdom.  
E-mail: [info@ravelfire.co.uk](mailto:info@ravelfire.co.uk); Web: [www.ravelfire.co.uk](http://www.ravelfire.co.uk)

### USA

RAVEL AMERICAS INC.,  
2855 NW 112<sup>th</sup> Ave ST#2 Miami,  
Doral, Florida 33172, USA.