

RE-716SS

SOUNDER / HORN CUM STROBE

General

Conventional Sounder cum strobe is efficient visual and audible dual tone generating device to meet the standards of NFPA72 (2016 edition). Two Audible tone settings continuous/temporal 3 of dB level range between 75dB to 85dB. Four types of visual candela setting output available. Strobe light consists of Hybrid LED. It can be flush / ceiling mounted with / without a back box.

Features

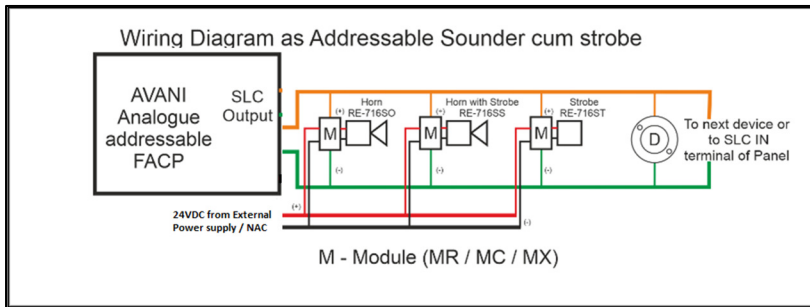
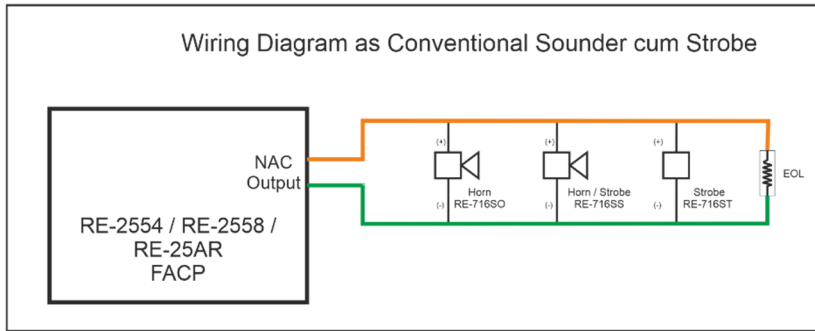
- UL 1971,ULC-S525,UL 464,ULC-S526.
- Low Current Draw.
- Flexible optic design to meet the light dispersion.
- 4 candela settings:15/30/75/110cd output.
- 2 audible tone settings: Continuous/Temporal 3.
- Slim and Sleek.
- FIRE label visibility for all direction.
- 180° coverage indication
- Used in Fire, Burglar & Emergency Alarm System.



Specification

	Electrical Specification
Light Source & Color	High power cool white LED
Pulse Duration	20ms
Max Current Draw(mA)	67 – 93mA
Flash Rate	1 flash per second
Operating Voltage	24VDC(16-33VDC) / FWR
Sounder Output	75dB to 85 dB
Mounting Options	Standard 4" * 4" back box
Dimension	5.5"L *4.7"W *2.0"D(140mmL*120mmW*51mmD)
Wiring Type	2
Screw Terminals	#12 to #18 AWG wires

Wiring Details



Compatible Panel

Model	Description
AVANI	Analogue addressable Fire Alarm Control panel expandable upto 4 loop
Avani db	Analogue Addressable Fire Alarm Control panel expandable upto 2 loop
Avani XL	Analogue Addressable Fire Alarm Control Panel expandable upto 8 Loop
RE-25AR	Conventional Agent Release Control Panel
RE-2558/2554	Conventional 8 Zone / 4 Zone Fire Alarm Control Panel

Compatible Device

Model	Description
RE-717MC	Addressable Control Module
RE-717MR	Addressable Relay Module
RE-717MX	Addressable Input Output Module

Ordering Information

Model	Description
RE-716SS	Sounder / Horn Cum Strobe

India

RAVEL ELECTRONICS PVT LTD.,
150A, Electronics Industrial Estate,
Perungudi, Chennai – 96, India.
E-mail: marketing@ravelfire.com; Web: www.ravelfire.com

United Kingdom

RAVEL ELECTRONICS LTD.,
Unit 11, Chancel Industrial Estate, Newhall street,
Willenhall WV13 1NX, West Midlands, United Kingdom.
E-mail: info@ravelfire.co.uk; Web: www.ravelfire.co.uk

USA

RAVEL AMERICAS INC.,
2855 NW 112th Ave ST#2 Miami,
Doral, Florida 33172, USA.